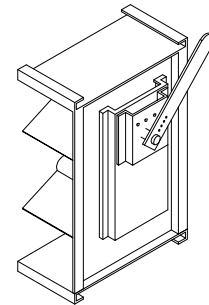


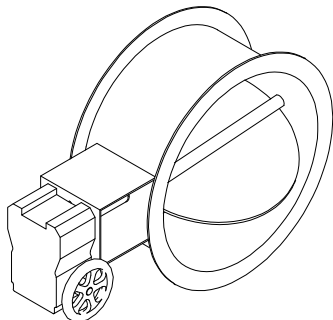
Hand Quadrant
Operator #1

1/2" round shaft only



Hand Quadrant
Operator #2

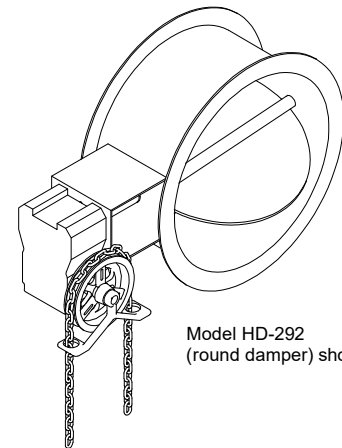
Heavy Duty
1/2" & 3/4" round shafts



Model HD-292
(round damper) shown

Worm Gear with Hand Wheel
Operator #3

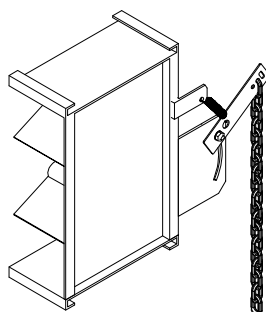
Heavy Duty
1/2" & 3/4" round shafts



Model HD-292
(round damper) shown

Worm Gear with Chain Wheel
Operator #4

Heavy Duty
1/2" & 3/4" round shafts



Pull Chain
Operator #5

10 ft. chain standard

| | | | |
|-------------|------------------|------------------|--------------------------|
| Job Name: | Drawn By: CLJ | Date: 3-25-03 | Rev. Date: 1-21-21 VD |
| Location: | Rev. No.: | Approved By: | Dwg. No.: |
| Architect: | 7 | BGT | N-4 |
| Engineer: | | | |
| Contractor: | | | |